

24X5B/2467B

OPTIONS

SERVICE

(SERIAL NUMBER B050000 AND ABOVE)

WARNING

The following servicing instructions are for use by qualified personnel only. To avoid personal injury, do not perform any servicing other than that contained in Operating Instructions unless you are qualified to do so. Refer to Operators Safety Summary and Service Safety Summary prior to performing any service.

Please check for CHANGE INFORMATION at the rear of this manual.

TABLE OF CONTENTS

| | Page | | Page |
|--|------|--|------|
| LIST OF ILLUSTRATIONS | vi | | |
| LIST OF TABLES | vii | | |
| OPERATORS SAFETY SUMMARY . | ix | | |
| SERVICING SAFETY SUMMARY ... | x | | |
| 1 GPIB OPTION | | 2 TELEVISION OPTION and HIGH DEFINITION TELEVISION OPTION | |
| SPECIFICATION | 1-1 | SPECIFICATION | 2-1 |
| INTRODUCTION | 1-1 | INTRODUCTION | 2-1 |
| ACCESSORIES AND SOFTWARE .. | 1-1 | ACCESSORIES | 2-1 |
| STANDARD FUNCTIONS, FORMATS, AND FEATURES | 1-2 | PERFORMANCE CONDITIONS ... | 2-1 |
| PERFORMANCE CONDITIONS ... | 1-1 | | |
| GPIB PREPARATION FOR USE | 1-5 | PREPARATION FOR USE | 2-5 |
| POWER-UP SEQUENCE | 1-5 | FILTER/GRATICULE REPLACEMENT | 2-5 |
| POWER-DOWN SEQUENCE | 1-5 | POWER-UP SEQUENCE | 2-5 |
| | | POWER-DOWN SEQUENCE | 2-5 |
| THEORY OF OPERATION | 1-8 | TV PROTOCOL AND LINE-NUMBERING FORMAT SELECTION | 2-5 |
| INTRODUCTION | 1-8 | AUTOMATIC SYNC SELECTION .. | 2-6 |
| SECTION ORGANIZATION ... | 1-8 | | |
| DIGITAL LOGIC CONVENTIONS | 1-8 | THEORY OF OPERATION | 2-9 |
| GENERAL CIRCUIT DESCRIPTION | 1-8 | INTRODUCTION | 2-9 |
| GPIB BOARD | 1-9 | SECTION ORGANIZATION | 2-9 |
| DETAILED CIRCUIT DESCRIPTION | 1-9 | DIGITAL LOGIC CONVENTIONS | 2-9 |
| INTRODUCTION | 1-9 | GENERAL CIRCUIT DESCRIPTION | 2-9 |
| GPIB CIRCUIT BOARD | 1-9 | TV BOARD | 2-10 |
| | | DETAILED CIRCUIT DESCRIPTION | 2-10 |
| PERFORMANCE CHECK AND ADJUSTMENT PROCEDURES | 1-17 | INTRODUCTION | 2-10 |
| INTRODUCTION | 1-17 | TELEVISION OPTION CIRCUIT BOARD | 2-10 |
| LIMITS AND TOLERANCES | 1-17 | | |
| TEST EQUIPMENT | 1-17 | PERFORMANCE CHECK AND ADJUSTMENT PROCEDURE | 2-17 |
| PERFORMANCE CHECK PROCEDURE | 1-19 | INTRODUCTION | 2-17 |
| PREPARATION | 1-19 | LIMITS AND TOLERANCES | 2-17 |
| GPIB OPTION CHECKS | 1-19 | TEST EQUIPMENT | 2-17 |
| ADJUSTMENT PROCEDURE | 1-25 | PERFORMANCE CHECK PROCEDURE | 2-19 |
| | | PREPARATION | 2-19 |
| | | TV OPTION CHECKS | 2-19 |
| | | ADJUSTMENT PROCEDURE ... | 2-25 |

TABLE OF CONTENTS (cont)

| | Page | | Page |
|---|-------|--|------|
| 2A TELEVISION OPTION and HIGH DEFINITION TELEVISION OPTION | | 3 COUNTER/TIMER/TRIGGER, WORD RECOGNIZER AND EXTERNAL FREQUENCY REFERENCE OPTIONS | |
| SPECIFICATION | 2A-1 | SPECIFICATION | 3-1 |
| INTRODUCTION | 2A-1 | INTRODUCTION | 3-1 |
| ACCESSORIES | 2A-1 | ACCESSORIES | 3-1 |
| PERFORMANCE CONDITIONS ... | 2A-1 | DESCRIPTION OF FUNCTIONS | 3-2 |
| PREPARATION FOR USE | 2A-5 | PERFORMANCE CONDITIONS | 3-3 |
| FILTER/GRATICULE REPLACEMENT | 2A-5 | PREPARATION FOR USE | 3-13 |
| POWER-UP SEQUENCE | 2A-5 | OPERATING CONSIDERATIONS .. | 3-13 |
| POWER-DOWN SEQUENCE | 2A-5 | POWER-UP TESTS | 3-13 |
| TV PROTOCOL AND LINE-NUMBERING | 2A-5 | THEORY OF OPERATION | 3-15 |
| AUTOMATIC SYNC SELECTION .. | 2A-6 | INTRODUCTION | 3-15 |
| THEORY OF OPERATION | 2A-9 | SECTION ORGANIZATION | 3-15 |
| INTRODUCTION | 2A-9 | DIGITAL LOGIC CONVENTIONS | 3-15 |
| SECTIONAL ORGANIZATION ... | 2A-9 | GENERAL CIRCUIT DESCRIPTION | 3-15 |
| DIGITAL LOGIC CONVENTIONS | 2A-9 | INTRODUCTION | 3-15 |
| GENERAL CIRCUIT DESCRIPTION | 2A-9 | CTT BOARD | 3-16 |
| HDTV BOARD | 2A-10 | WORD RECOGNIZER | 3-16 |
| DETAILED CIRCUIT DESCRIPTION | 2A-10 | EXTERNAL FREQUENCY REFERENCE | 3-17 |
| INTRODUCTION | 2A-10 | DETAILED CIRCUIT DESCRIPTION .. | 3-17 |
| HIGH DEFINITION TELEVISION OPTION CIRCUIT BOARD | 2A-10 | INTRO | 3-17 |
| PERFORMANCE CHECK AND ADJUSTMENT PROCEDURES | 2A-17 | CTT CIRCUITRY | 3-17 |
| INTRODUCTION | 2A-17 | WORD RECOGNIZER CIRCUITRY ... | 3-25 |
| LIMITS AND TOLERANCES | 2A-17 | EXTERNAL FREQUENCY REFERENCE CIRCUITRY | 3-28 |
| TEST EQUIPMENT | 2A-17 | PERFORMANCE CHECK AND ADJUSTMENT PROCEDURE | 3-29 |
| PERFORMANCE CHECK PROCEDURE | 2A-19 | INTRODUCTION | 3-29 |
| PREPARATION | 2A-19 | LIMITS AND TOLERANCES | 3-29 |
| HDTV OPTION CHECKS | 2A-19 | TEST EQUIPMENT | 3-29 |
| ADJUSTMENT PROCEDURE | 2A-25 | PERFORMANCE CHECK PROCEDURE | 3-30 |
| | | PREPARATION | 3-30 |
| | | COUNTER/TIMER/TRIGGER CHECKS | 3-31 |
| | | WORD RECOGNIZER CHECKS .. | 3-36 |
| | | EXTERNAL FREQUENCY REFERENCE | 3-41 |
| | | ADJUSTMENT PROCEDURE | 3-42 |
| | | PREPARATION | 3-42 |
| | | COUNTER/TIMER/TRIGGER ADJUSTMENT PROCEDURE | 3-42 |

TABLE OF CONTENTS (cont)

| | Page | | Page |
|------------------------------------|------|--|------|
| 4 DIGITAL MULTIMETER OPTION | | 5 OPTIONS MAINTENANCE | |
| SPECIFICATION | 4-1 | TROUBLESHOOTING | 5-1 |
| INTRODUCTION | 4-1 | GENERAL TROUBLESHOOTING | |
| ACCESSORIES | 4-1 | PROCEDURE | 5-1 |
| PERFORMANCE CONDITIONS ... | 4-1 | DIAGNOSTIC ROUTINES | 5-1 |
| PREPARATION FOR USE | 4-9 | CORRECTIVE MAINTENANCE | 5-16 |
| POWER-UP SEQUENCE | 4-9 | REMOVAL AND REPLACEMENT | |
| POWER-DOWN SEQUENCE | 4-9 | INSTRUCTIONS | 5-16 |
| DMM PARAMETER SELECTION ... | 4-10 | 6 REPLACEABLE ELEC PARTS-2445B | |
| DMM FUSES | 4-10 | 7 REPLACEABLE ELEC PARTS-2455B | |
| THEORY OF OPERATION | 4-11 | 8 REPLACEABLE ELEC PARTS-2465B | |
| INTRODUCTION | 4-11 | 9 REPLACEABLE ELEC PARTS-2467B | |
| SECTION ORGANIZATION | 4-11 | 10 DIAGRAMS | |
| DIGITAL LOGIC CONVENTIONS | 4-11 | 11 REPLACEABLE MECH PARTS-2445B | |
| GENERAL CIRCUIT DESCRIPTION | 4-11 | 12 REPLACEABLE MECH PARTS-2455B | |
| DMM BOARD | 4-12 | 13 REPLACEABLE MECH PARTS-2465B | |
| DETAILED CIRCUIT DESCRIPTION | 4-12 | 14 REPLACEABLE MECH PARTS-2467B | |
| INTRODUCTION | 4-12 | CHANGE INFORMATION | |
| DIGITAL MULTIMETER OPTION . | 4-12 | | |
| PERFORMANCE CHECK AND | | | |
| ADJUSTMENT PROCEDURE | 4-23 | | |
| INTRODUCTION | 4-23 | | |
| LIMITS AND TOLERANCES ... | 4-23 | | |
| TEST EQUIPMENT | 4-23 | | |
| PERFORMANCE CHECK | | | |
| PROCEDURE | 4-24 | | |
| PREPARATION | 4-24 | | |
| DMM OPTION CHECKS | 4-24 | | |
| ADJUSTMENT PROCEDURE | 4-28 | | |
| INTRODUCTION | 4-28 | | |
| PREPARATION | 4-28 | | |
| DMM ADJUSTMENT | 4-28 | | |

LIST OF ILLUSTRATIONS

| Figure | Page |
|--------|-------|
| 2-1 | 2-28 |
| 2-2 | 2-28 |
| 2A-1 | 2A-28 |
| 2A-2 | 2A-28 |
| 2A-3 | 2A-30 |
| 2A-4 | 2A-30 |
| 3-1 | 3-3 |
| 4-1 | 4-8 |
| 4-2 | 4-16 |
| 4-3 | 4-17 |
| 4-4 | 4-21 |
| 4-5 | 4-30 |
| 5-1 | 5-12 |
| 5-2 | 5-13 |
| 5-3 | 5-14 |
| 10-1 | |
| 10-2 | |
| 10-3 | |
| 10-4 | |
| 10-5 | |
| 10-6 | |
| 10-8 | |
| 10-9 | |
| 10-10 | |
| 10-11 | |
| 10-12 | |
| 10-13 | |
| 10-14 | |
| 10-15 | |
| 10-16 | |
| 10-17 | |
| 10-18 | |
| 10-19 | |
| 10-20 | |
| 10-21a | |
| 10-21b | |

LIST OF TABLES

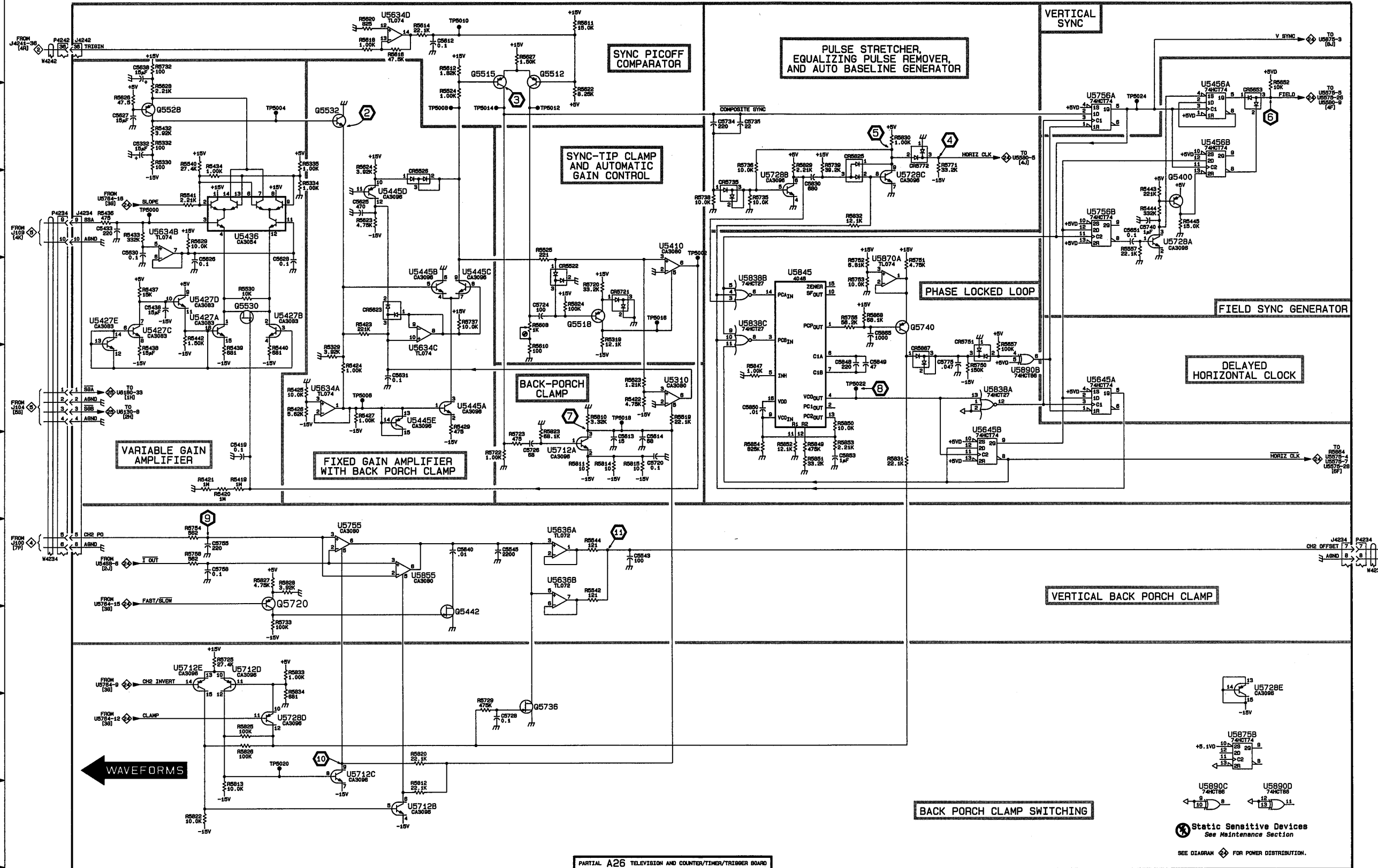
| Table | | Page |
|-------|---|-------|
| 1-1 | ANSI/IEEE Std 488-1978 (GPIB) Functions | 1-2 |
| 1-2 | Specific Features Implemented | 1-2 |
| 1-3 | Specific Format Choices | 1-2 |
| 1-4 | Option 10 Electrical Characteristics | 1-3 |
| 1-5 | Option 10 Mechanical Characteristics | 1-4 |
| 1-6 | GPIB Option Memory Map | 1-8 |
| 1-7 | Test Equipment Required | 1-10 |
| B-1 | Status Event and Error Categories | 1-19 |
| B-2 | GPIB Status Codes | 1-20 |
| 2-1 | Option 05 Electrical Characteristics | 2-2 |
| 2-2 | Option 05 Mechanical Characteristics | 2-3 |
| 2-3 | TV Option Memory Map | 2-14 |
| 2-4 | Test Equipment Required | 2-18 |
| 2A-1 | Option 5H Electrical Characteristics | 2A-2 |
| 2A-2 | Option 5H Mechanical Characteristics | 2A-3 |
| 2A-3 | HDTV Option Memory Map | 2A-14 |
| 2A-4 | Test Equipment Required | 2A-18 |
| 3-1 | Counter/Timer/Trigger Electrical Characteristics | 3-4 |
| 3-2 | Word Recognizer Electrical Characteristics | 3-10 |
| 3-3 | Mechanical Characteristics | 3-11 |
| 3-4 | Resolution Selections | 3-12 |
| 3-5 | Auto Resolution | 3-12 |
| 3-6 | CTT and WR memory Map | 3-18 |
| 3-7 | Counter Use | 3-20 |
| 3-8 | Control Register Setup | 3-21 |
| 3-9 | Gate Array Inputs | 3-22 |
| 3-10 | Signals To/From CTT for CTT Modes | 3-23 |
| 3-11 | Control Register Setup | 3-26 |
| 3-12 | Test Equipment Required | 3-30 |
| 3-13 | Data Setup Time Checks | 3-37 |
| 3-14 | Data hold Time checks | 3-38 |
| 3-15 | Minimum Clock Pulse Width Checks | 3-38 |
| 3-16 | Delay From Selected Edge to WORD RECOG OUT Checks | 3-39 |
| 3-17 | Word Recognition Delay | 3-39 |
| 4-1 | Option 01 Electrical Characteristics | 4-2 |
| 4-2 | Option 01 Mechanical Characteristics | 4-7 |
| 4-3 | DC Volts Selections | 4-13 |
| 4-4 | Ohms Selections | 4-15 |
| 4-5 | Continuity | 4-18 |
| 4-6 | LO Ω Control Signals | 4-18 |
| 4-7 | Hi Ω Control Signals | 4-18 |
| 4-8 | DC Volts Control Signals | 4-18 |
| 4-9 | AC Volts Control Signals | 4-18 |
| 4-10 | DC Amps Control Signals | 4-18 |
| 4-11 | AC Amps Control Signals | 4-18 |
| 4-12 | Control Signals to Measure | 4-19 |
| 4-13 | Control Signals to Measure | 4-19 |
| 4-14 | DMM Option Memory Map | 4-19 |
| 4-15 | Test Equipment Required | 4-24 |
| 4-16 | Dc Voltage Readout Checks | 4-25 |
| 4-17 | Ac Voltage Readout Checks | 4-25 |

LIST OF TABLES (cont)

| Table | | Page |
|-------|---|------|
| 4-18 | Ac Voltage Readout Checks | 4-25 |
| 4-19 | LO Ω Readout Checks | 4-26 |
| 4-20 | HI Ω Readout Checks | 4-26 |
| 4-21 | Dc Current Readout Checks | 4-26 |
| 4-22 | Ac Current Readout Checks | 4-26 |
| 4-23 | Calibration Routines | 4-28 |
| 5-1 | Kernel Test Failure Codes | 5-1 |
| 5-2 | Front-Panel LED Option Codes | 5-2 |
| 5-3 | Front-Panel LED Device Codes | 5-2 |
| 5-4 | Diagnostic and Exerciser Routines | 5-3 |
| 5-5 | Option Designators | 5-14 |

A B C D E F G H J K L M N P R S

1
2
3
4
5
6
7
8
9
10



24X5B/2467B OPTIONS SERVICE

PARTIAL A26 TELEVISION AND COUNTER/TIMER/TRIGGER BOARD

8864-37

TV OPTION ANALOG CIRCUITRY 23