

Tektronix[®]
COMMITTED TO EXCELLENCE

Oservice Sample File

**PLEASE CHECK FOR CHANGE INFORMATION
AT THE REAR OF THIS MANUAL.**

**465B
OSCILLOSCOPE
(SN B059999 & BELOW)
WITH OPTIONS
SERVICE**

INSTRUCTION MANUAL

**Tektronix, Inc.
P.O. Box 500
Beaverton, Oregon 97077**

Serial Number _____

070-2757-01
Product Group 40

First Printing APR 1979
Revised SEP 1982

Copyright © 1979, 1982 Tektronix, Inc. All rights reserved.
Contents of this publication may not be reproduced in any
form without the written permission of Tektronix, Inc.

Products of Tektronix, Inc. and its subsidiaries are covered
by U.S. and foreign patents and/or pending patents.

TEKTRONIX, TEK, SCOPE-MOBILE, and  are
registered trademarks of Tektronix, Inc. TELEQUIPMENT
is a registered trademark of Tektronix U.K. Limited.

Printed in U.S.A. Specification and price change privileges
are reserved.

INSTRUMENT SERIAL NUMBERS

Each instrument has a serial number on a panel insert, tag,
or stamped on the chassis. The first number or letter
designates the country of manufacture. The last five digits
of the serial number are assigned sequentially and are
unique to each instrument. Those manufactured in the
United States have six unique digits. The country of
manufacture is identified as follows:

B000000	Tektronix, Inc., Beaverton, Oregon, USA
100000	Tektronix Guernsey, Ltd., Channel Islands
200000	Tektronix United Kingdom, Ltd., London
300000	Sony/Tektronix, Japan
700000	Tektronix Holland, NV, Heerenveen, The Netherlands

TABLE OF CONTENTS

	Page
LIST OF ILLUSTRATIONS	vi
LIST OF TABLES	viii
SAFETY SUMMARY	ix
SECTION 1 INTRODUCTION AND SPECIFICATION	
INTRODUCTION	1-1
SPECIFICATION	1-1
SECTION 2 OPERATION INSTRUCTIONS	
INSTALLATION	2-1
PREPARATION FOR USE	2-1
Safety Considerations	2-1
Line Voltage Selection	2-1
Regulating Range Selection	2-2
Instrument Cooling	2-3
Rackmounting	2-3
CONTROLS, CONNECTORS, AND INDICATORS	2-3
VERTICAL	2-3
DISPLAY AND CALIBRATOR	2-4
TRIGGER	2-5
HORIZONTAL AND POWER	2-7
REAR PANEL	2-8
LEFT SIDE PANEL	2-9
RIGHT SIDE PANEL	2-9
BASIC OSCILLOSCOPE DISPLAYS	2-9
PRESET INSTRUMENT CONTROLS	2-10
NORMAL SWEEP DISPLAY	2-10
MAGNIFIED SWEEP DISPLAY	2-10
DELAYED SWEEP DISPLAY	2-10
ALTERNATE SWEEP DISPLAY	2-11
SINGLE SWEEP DISPLAY	2-11
X-Y DISPLAY	2-11
RACKMOUNTING	2-12
DIMENSIONS	2-12
SLIDE-OUT TRACKS	2-12
MOUNTING PROCEDURE	2-16
ALTERNATIVE REAR MOUNTING METHODS	2-21
REMOVING OR INSTALLING THE INSTRUMENT	2-21
SLIDE-OUT TRACK LUBRICATION	2-21

TABLE OF CONTENTS (cont)

SECTION 3	THEORY OF OPERATION	Page
	INTRODUCTION	3-1
	SECTION ORGANIZATION	3-1
	INTEGRATED CIRCUIT DESCRIPTIONS	3-1
	GENERAL DESCRIPTION	3-2
	DETAILED DESCRIPTION	3-4
	CHANNEL 1 PREAMP	3-4
	CHANNEL 2 PREAMP	3-6
	VERTICAL SWITCHING LOGIC	3-6
	VERTICAL MODE SWITCH	3-9
	VERTICAL OUTPUT AMPLIFIER	3-10
	A AND B TRIGGER GENERATORS	3-11
	SWEEP AND Z AXIS LOGIC CIRCUIT	3-12
	A AND B SWEEP GENERATORS	3-16
	HORIZONTAL DISPLAY LOGIC	3-18
	HORIZONTAL AMPLIFIER	3-18
	CRT CIRCUIT	3-20
	CALIBRATOR	3-24
	LOW-VOLTAGE POWER SUPPLY	3-25
	FAN MOTOR CIRCUIT	3-27
SECTION 4	CALIBRATION PROCEDURE	
	Introduction	4-1
	Test Equipment Required	4-1
	PERFORMANCE CHECK	4-4
	INDEX TO PERFORMANCE CHECK PROCEDURE	4-5
	VERTICAL	4-6
	TRIGGERS	4-12
	HORIZONTAL	4-15
	ADJUSTMENT PROCEDURE	4-19
	INDEX TO ADJUSTMENT PROCEDURE	4-21
	POWER SUPPLY	4-23
	DISPLAY AND Z AXIS	4-25
	VERTICAL	4-27
	TRIGGERS	4-40
	HORIZONTAL	4-52
	GATES, CALIBRATOR, AND EXT Z AXIS	4-61

TABLE OF CONTENTS (cont)

SECTION 5	MAINTENANCE	Page
	INTRODUCTION	5-1
	CABINET AND RACK ADAPTER REMOVAL	5-1
	PREVENTIVE MAINTENANCE	5-3
	Introduction	5-3
	Cleaning	5-3
	Visual Inspection	5-4
	Lubrication	5-4
	Semiconductor Checks	5-4
	Readjustment	5-4
	TROUBLESHOOTING	5-5
	Introduction	5-5
	Troubleshooting Aids	5-5
	Troubleshooting Equipment	5-9
	Troubleshooting Techniques	5-9
	CORRECTIVE MAINTENANCE	5-11
	Introduction	5-11
	Maintenance Precautions	5-12
	Static Sensitive Components	5-12
	Obtaining Replacement Parts	5-13
	Soldering Techniques	5-13
	Component Removal and Replacement	5-14
	Readjustment After Repair	5-22
	Instrument Repackaging	5-22
	Required Reshipment Information	5-22
	MAINTENANCE AIDS	5-23
SECTION 6	OPTIONS	
	GENERAL OPTION INFORMATION	6-1
	OPTION 04	6-3
	INTRODUCTION	6-3
	OPTION 04 REPLACEABLE ELECTRICAL PARTS LIST	6-4
	OPTION 04 REPLACEABLE MECHANICAL PARTS LIST	6-4
	OPTION 05 TV SYNC SEPARATOR	6-5
	INTRODUCTION	6-5
	SPECIFICATION	6-6
	FURNISHED ACCESSORIES	6-6

TABLE OF CONTENTS (cont)

SECTION 6	OPTIONS (cont)	Page
	OPERATING INFORMATION	6-6
	Installation of Video Graticule	6-6
	Operation of the Sync Separator	6-7
	Triggering the Sweep	6-7
	Vertical Operating Modes—Special Consideration	6-7
	Typical Operation	6-8
	Selecting an Individual Line	6-8
	Special Measurements	6-8
	IDENTIFYING FIELDS, FRAMES, AND LINES IN 525/60 AND 625/50 TV SYSTEMS	6-9
	NTSC (CCIR System M)	6-9
	CCIR System B and Similar 625/50 Systems (including PAL)	6-9
	THEORY OF OPERATION	6-10
	Introduction	6-10
	Switching	6-10
	Trigger Pickoff	6-10
	Trigger Amplifier and Inverter	6-11
	Sync Separator	6-11
	ADJUSTMENT PROCEDURE	6-12
	Introduction	6-12
	Preliminary Procedure for Sync Separator Calibration	6-12
	Procedure	6-13
	OPTION 05 REPLACEABLE ELECTRICAL PARTS LIST	6-19
	OPTION 05 REPLACEABLE MECHANICAL PARTS LIST	6-21
	OPTION 07 EXTERNAL DC OPERATION	6-23
	INTRODUCTION	6-23
	SPECIFICATION	6-23
	CONTROLS AND CONNECTORS	6-23
	OPERATION AND INSPECTION	6-23
	THEORY OF OPERATION	6-23
	General Description	6-24
	Turn-Off Level Circuit	6-24
	Turn-Off Circuit	6-25
	Start Circuit	6-25
	Inverter Circuit	6-26
	DC Input	6-26
	Start-Stop Switch	6-27
	Power-Mode Switch (S1665)	6-27
	MAINTENANCE	6-27
	ADJUSTMENT	6-28
	OPTION 07 REPLACEABLE ELECTRICAL PARTS LIST	6-33
	OPTION 07 REPLACEABLE MECHANICAL PARTS LIST	6-36
	OPTION 78 TYPE P11 PHOSPHOR	6-39

TABLE OF CONTENTS (cont)

SECTION 7 REPLACEABLE ELECTRICAL PARTS LIST

SECTION 8 DIAGRAMS

SECTION 9 REPLACEABLE MECHANICAL PARTS LIST

ACCESSORIES TAB PAGE

CHANGE INFORMATION

Qservice sample File

LIST OF ILLUSTRATIONS

Figure		Page
1-1	465B Oscilloscope.	xii
2-1	Commonly used power plugs.	2-2
2-2	Regulating range selector and line fuse.	2-2
2-3	Vertical controls, connectors, and indicators.	2-3
2-4	Display controls and calibrator.	2-5
2-5	Trigger controls, connectors, and indicators.	2-7
2-6	Horizontal and power connectors, controls, and indicators.	2-8
2-7	Rear panel and left side panel controls, connectors, and indicators.	2-9
2-8	Dimensional drawing.	2-13
2-9	Dimensional drawing (cont).	2-14
2-10	Slide-out track assemblies.	2-15
2-11	Hardware needed to mount the instrument in the cabinet rack.	2-15
2-12	Rear support kit.	2-16
2-13	Installing the support block on the instrument.	2-16
2-14	Methods of mounting the stationary section to the front rails.	2-17
2-15	Locating the mounting holes for the left stationary section. Same dimensions apply to right stationary section.	2-18
2-16	Supporting the rear stationary sections: (A) Dimensions necessary; (B) Completed installation.	2-19
2-17	Procedure for inserting or removing the instrument after the slide-out tracks have been installed.	2-20
2-18	Alignment adjustment for correct operation.	2-21
2-19	Alternative method of installing the instrument using rear support brackets.	2-22
3-1	Basic block diagram of the 465B Oscilloscope.	3-1
3-2	Detailed block diagram of the Channel 1 Preampfier circuit.	3-4
3-3	Detailed block diagram of the Vertical Switching Logic circuit.	3-7
3-4	Switching waveform at the junction of R1903 and R1904.	3-8
3-5	Vertical Alt Sync Pulse at U1705 pin 9.	3-9
3-6	Detailed block diagram of the Sweep and Z-Axis Logic circuit.	3-14
3-7	Detailed block diagram of the A Sweep Generator circuit.	3-16
3-8	Detailed block diagram of the Horizontal Amplifier circuit.	3-19
3-9	Detailed block diagram of the CRT and Z-Axis Amplifier circuit.	3-21
3-10	(A) Sinusoidal sample voltage at center tap of T4015. (B) Clamped sample voltage at the junction of CR4111 and CR4112.	3-23
3-11	(A) Z-Axis Amplifier output. (B) Clamped sample voltage at the junction of CR4111 and CR4112.	3-24
3-12	Detailed block diagram of the Calibrator circuit.	3-24
3-13	Calibrator circuit waveform diagram.	3-25
3-14	Detailed block diagram of the Low-Voltage Power Supply circuit.	3-26
3-15	Foldover circuit action	3-27
4-1	Typical display when high-frequency compensation is correctly adjusted.	4-35

LIST OF ILLUSTRATIONS (cont)

Figure		Page
5-1	Removing the wrap-around cabinet.	5-1
5-2	Partial Table 5-1.	5-6
5-3	Color codes.	5-8
5-4	Locations of power transformer secondary wires.	5-18
6-1	465B Option 04 primary winding with power-line filter.	6-3
6-2	465B Oscilloscope with Option 05.	6-5
6-3	Option 05 simplified block diagram.	6-10
6-4	A12 Sync Separator and Inverter Amplifier board component locations.	6-15
6-5	Option 05 465B Vertical Input changes.	6-15
6-6	Option 05 Trigger Switches and Trigger Pickoff.	6-16
6-7	Option 05 TV Sync Separator and Inverter Amplifier.	6-17
6-8	Option 07 simplified block diagram.	6-24
6-9	465B Option 07 DC Inverter.	6-25
6-10	465B Option 07 primary winding.	6-26
6-11	Typical battery pack discharge curves.	6-28
6-12	Option 07 Inverter balance.	6-29
6-13	Option 07 DC Inverter circuit board adjustment and test point locations.	6-30
6-14	Option 07 DC Inverter idealized waveforms.	6-30
6-15	Option 07 DC Inverter circuit board component locations.	6-31
6-16	Option 07 Exploded.	6-37

NOTE

The following illustrations are located on foldout pages in Section 8 Diagrams & Circuit Board Illustrations.

8-1	Semiconductor lead configuration.
8-2	A3 Attenuator circuit board.
8-3	A1 Vertical Preamplifier circuit board.
8-4	A5 Vertical Mode Switch circuit board.
8-5A	A2 Vertical Output circuit board. (SN B030000 & up)
8-5B	A2 Vertical Output circuit board. (SN Below B030000)
8-6	A7 A and B Trigger Generator circuit board.
8-7	A4 Interface circuit board.
8-8	A6 Timing circuit board.
8-9	A8 Fan circuit board.
8-10	Interface circuit board adjustment locations.
8-11	Vertical Preamplifier circuit board adjustment locations.
8-12A	Vertical Output Amplifier circuit board adjustment locations. (SN B030000 & up)
8-12B	Vertical Output Amplifier circuit board adjustment locations. (SN Below B030000)
8-13	Trigger Generator and Sweep Logic circuit board adjustment locations.
8-14	Timing circuit board adjustment locations.

LIST OF TABLES

Table		Page
1-1	ELECTRICAL CHARACTERISTICS	1-1
1-2	ENVIRONMENTAL CHARACTERISTICS	1-11
1-3	PHYSICAL CHARACTERISTICS	1-12
2-1	POWER CORD CONDUCTOR IDENTIFICATION	2-1
2-2	REGULATING RANGE	2-2
2-3	FUSE SELECTION	2-3
4-1	TEST EQUIPMENT REQUIRED	4-1
4-2	DEFLECTION FACTOR LIMITS	4-8
4-3	LOW-FREQUENCY COMPENSATION SETUP	4-9
4-4A	A AND B TIMING ACCURACY	4-16
4-4B	A AND B MAGNIFIED ACURACY	4-16
4-5	DELAY OR DIFFERENTIAL TIME ACCURACY	4-17
4-6	ADJUSTMENT INTERACTIONS	4-20
4-7	LOW VOLTAGE POWER SUPPLY LIMITS	4-24
4-8	TYPICAL LOW VOLTAGE POWER SUPPLY RIPPLE	4-24
4-9	VERTICAL DEFLECTION ACCURACY	4-30
4-10	MAXIMUM OVERSHOOT OR ROUNDING	4-32
4-11	VERTICAL OUTPUT LOW-FREQUENCY COMPENSATION	4-32
4-12	CH 1 LOW-FREQUENCY COMPENSATION	4-33
4-13	CH 2 LOW-FREQUENCY COMPENSATION	4-33
4-14	VOLTS/DIV COMPENSATION	4-35
4-15	A AND B TIMING ACCURACY	4-56
4-16	A AND B MAGNIFIED ACCURACY	4-57
4-17	DIFFERENTIAL TIME ACCURACY	4-58
5-1	READ-ONLY MEMORY U1605 LOGIC	5-7
5-2	SUGGESTED TROUBLESHOOTING EQUIPMENT	5-23
6-1	OPTION 05 TEST EQUIPMENT REQUIRED	6-13
6-2	OPTION 07 TEST EQUIPMENT REQUIRED	6-27

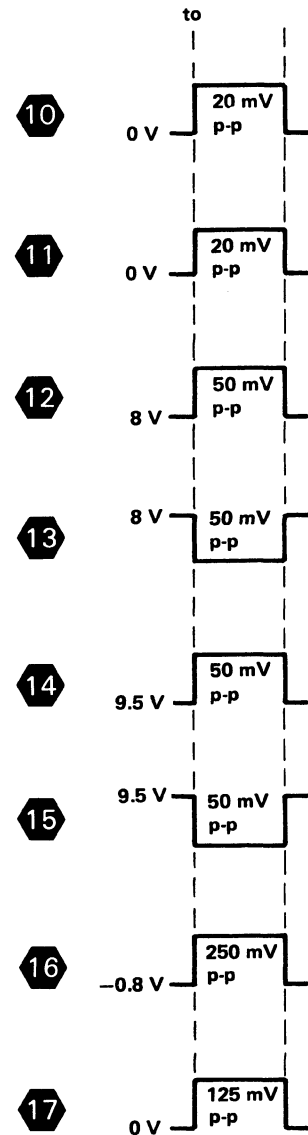
465B CONTROL SETTINGS

DC Voltages

VERT MODE CH 2
AC-GND-DC (both) GND

AC Waveforms

VERT MODE CH 2
CH 2 AC-GND-DC DC
VOLTS/DIV 5 mV
Input 20 mV positive-going square wave



2757-97

CH 2 VERTICAL PREAMP

DIAGRAM 2

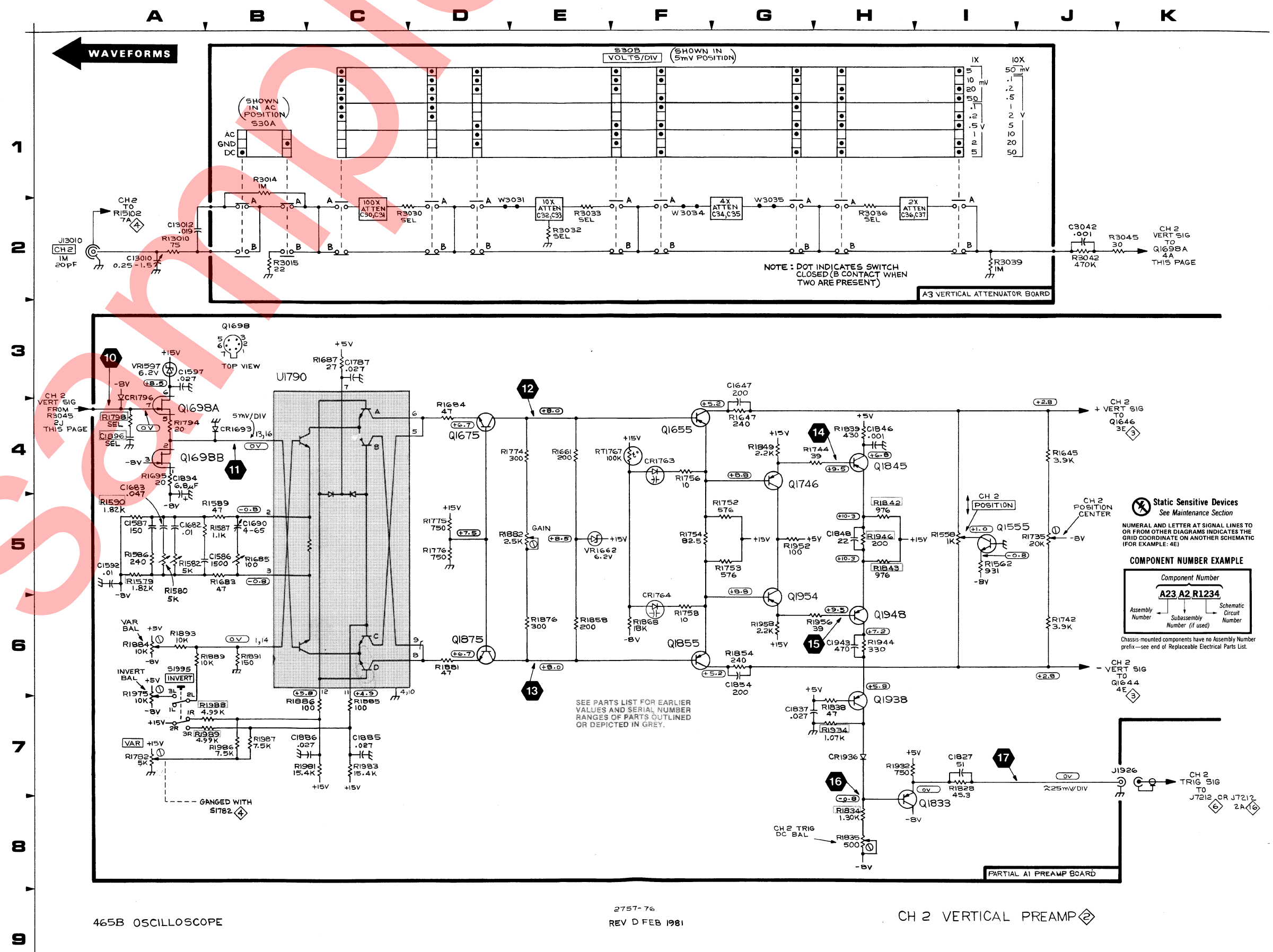
P/O A1 ASSY								
CIRCUIT NUMBER	SCHEM LOCATION	BOARD LOCATION	CIRCUIT NUMBER	SCHEM LOCATION	BOARD LOCATION	CIRCUIT NUMBER	SCHEM LOCATION	BOARD LOCATION
C1586	5A	3I	Q1948	6H	6E	R1842	5H	5D
C1587	5A	3I	Q1954	6G	5F	R1843	5H	5E
C1592	5A	4I	R1558	5I	4F	R1849	4G	5E
C1597	3A	4J	R1562	5I	3F	R1854	6G	5F
C1647	3G	4E	R1579	5A	3H	R1858	6E	5F
C1682	5B	4H	R1580	5A	3H	R1868	6F	5G
C1683	5A	4H	R1582	5B	3H	R1876	6E	5G
C1690	5B	4I	R1586	5A	3I	R1881	6D	5H
C1787	3C	5H	R1587	5A	3H	R1882	5E	5H
C1827	7I	5C	R1589	5B	4I	R1884	6A	5H
C1837	7G	5D	R1590	5A	3I	R1885	7C	5I
C1846	4H	5E	R1645	4J	4E	R1886	7B	5I
C1848	5H	5E	R1647	4G	4E	R1889	6B	5I
C1854	6G	5F	R1661	4E	4F	R1891	6B	5I
C1885	7C	5I	R1683	5B	4H	R1893	6A	5I
C1886	7B	5I	R1684	4D	4H	R1932	7H	5D
C1894	4A	5J	R1685	5B	4I	R1934	7H	6D
C1896	4A	5J	R1687	3C	4H	R1944	6H	6E
C1943	6H	6E	R1695	4A	4J	R1946	5H	5E
CR1693	4B	4I	R1735	5J	4D	R1952	5G	6E
CR1763	4F	5F	R1742	6J	5E	R1956	6H	6F
CR1764	6F	5F	R1744	4H	5E	R1958	6G	6F
CR1796	3A	5J	R1752	5G	5E	R1975	6A	6G
CR1936	7H	5D	R1753	5G	5E	R1981	7B	6H
			R1754	5F	5F	R1983	7C	6H
			R1756	4F	5F	R1986	7B	5I
			R1758	6F	5F	R1987	7B	6I
Q1555	5I	3F	R1774	4E	5G	R1988	7B	6I
Q1556	4F	4F	R1776	5D	5G	R1989	7A	6I
Q1675	4D	4G	R1777	5D	5H			
Q1698A	4A	4J	R1782	7A	5H	RT1767	4F	5G
Q1698B	4A	4J	R1794	4A	5I			
Q1746	4G	5E	R1798	4A	5J	S1995	6A	6J
Q1833	8I	5D	R1828	7I	5D			
Q1845	4H	5E	R1834	8H	5D	U1790	3B	5I
Q1855	6F	5F	R1835	8H	5D			
Q1875	6D	5G	R1838	7H	5D	VR1597	3A	4J
Q1938	6H	6D	R1839	4H	5D	VR1662	5E	4F

P/O A1 ASSY also shown on diagram(s) 1, and 3

P/O A3 ASSY								
CIRCUIT NUMBER	SCHEM LOCATION	BOARD LOCATION	CIRCUIT NUMBER	SCHEM LOCATION	BOARD LOCATION	CIRCUIT NUMBER	SCHEM LOCATION	BOARD LOCATION
C30	2C	1B	C37	2I	2D	R3036	2H	1D
C31	2C	2B				R3039	2I	2E
C32	2E	1C	R3014	1B	1A			
C33	2E	2C	R3015	2B	1A	W3031	2D	1C
C34	2G	1C	R3030	2C	1C	W3034	2F	1C
C35	2G	2C	R3032	2E	1C	W3035	2G	1D
C36	2H	1D	R3033	2E	1C			

P/O A3 ASSY also shown on diagram 1

CHASSIS MOUNTED PARTS								
CIRCUIT NUMBER	SCHEM LOCATION	BOARD LOCATION	CIRCUIT NUMBER	SCHEM LOCATION	BOARD LOCATION	CIRCUIT NUMBER	SCHEM LOCATION	BOARD LOCATION
C3042	2J	CHASSIS	J13010	2A	CHASSIS	R3045	2K	CHASSIS
C13010	2A	CHASSIS						
C13012	2A	CHASSIS	R3042	2J	CHASSIS			



465B OSCILLOSCOPE

2757-76
REV D FEB 1981

CH 2 VERTICAL PREAMP

Static Sensitive Devices
See Maintenance Section

NUMERAL AND LETTER AT SIGNAL LINES TO OR FROM OTHER DIAGRAMS INDICATES THE GRID COORDINATE ON ANOTHER SCHEMATIC (FOR EXAMPLE: 4E)

COMPONENT NUMBER EXAMPLE
A23 A2 R1234
Assembly Number Subassembly Number (if used) Schematic Circuit Number

Chassis-mounted components have no Assembly Number prefix—see end of Replaceable Electrical Parts List.